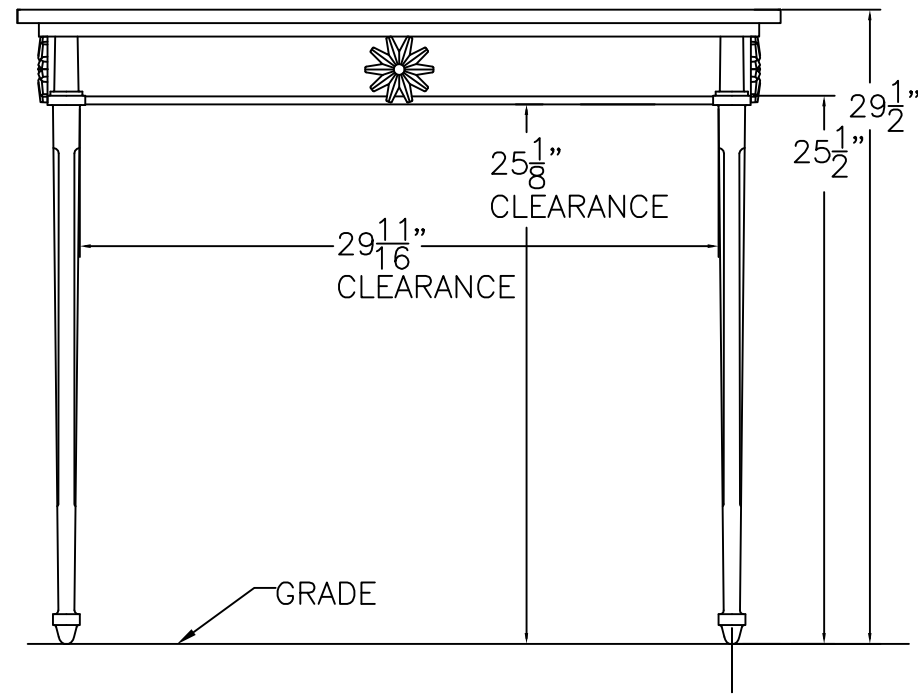
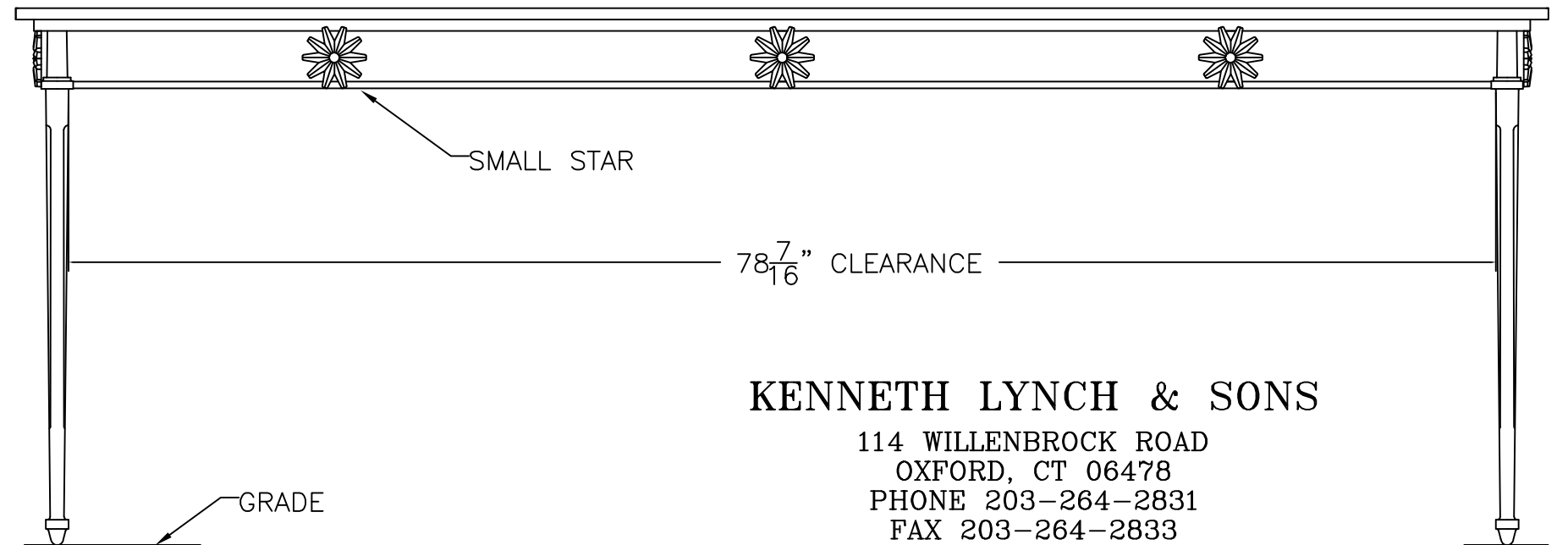


TOP VIEW



SIDE ELEVATION



FRONT ELEVATION

KENNETH LYNCH & SONS

114 WILLENBROCK ROAD
 OXFORD, CT 06478
 PHONE 203-264-2831
 FAX 203-264-2833

RECTANGULAR FILIGREE TABLE

Scale: 3"=1'-0"

Date: 4/14/15

Drawn: S.L.A.

MATERIAL: CAST & BAR ALUMINUM

7' LONG

#RECTANGULAR FILIGREE TABLE